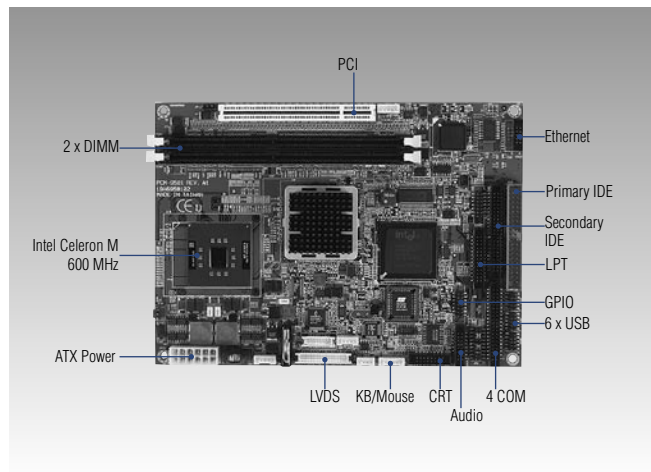


PCM-9586

Onboard Intel® Celeron® M 600 MHz
5.25" SBC with Audio, VGA/LCD



Specifications

General

- **CPU** Embedded Intel Celeron M
- **2nd Cache Memory** -
- **System Chipset** Intel 852GM GMCH/ICH4 Chipset
- **BIOS** AWARD® 512 kbit Flash BIOS
- **System Memory** 2 x 184-pin DIMM sockets, support Double Data Rate (DDR) 128 MB to 2 GB, accepts 128/256/512/1024 MB DR200/266 DRAM
- **Power Management** APM 1.2, ACPI support
- **SSD** Supports CompactFlash Card TYPE I/II (shared 2nd IDE Channel)
- **Watchdog Timer** 255-level interval timer from 15 sec to 14835 sec, setup by software, jumperless selection, generates system reset
- **Expansion Interface** Support a PCI2.2 with 32-bit/33 MHz slot and Mini PCI interface
- **Battery** Lithium 3 V/196 mAh

I/O

- **I/O Interface** 2 x EIDE (UDMA 100), 1 x FDD (optional), 1 x K/B, 1 x Mouse, 3 x RS232, 1 x RS232/422/485, 1 x LPT
- **USB** 6 x USB 2.0 compliant Ports
- **Audio** ICH4 chip. AC97 3D surround stereo sound Support Speaker out, CD-input, Line -in, Line-out, Microphone
- **IrDA** SIR 115 kbps, IrDA 1.1 Compliant
- **GPIO** 8-bit general purpose input/output

Ethernet

- **Chipset** Intel 82551ER, optional 82551QM, 82540GI (Gigabit)
- **Speed** 10/100 Mbps; 10/100/1000 Mbps (optional)
- **Interface** 1 x RJ45 by cable
- **Standard** IEEE 802.3u 100Base-T and IEEE 802.3z/ab 1000Base-T compatible.
Built-in boot ROM in Flash BIOS (optional)

Features

- Embedded Intel® Celeron® M 600 MHz/ Celeron® M 1 GHz
- Ultra low power Celeron M core
- Supports up to 1000Base-T Ethernet
- Supports six USB 2.0 ports
- Supports up to two channel 36-bit LVDS interface
- Supports Enhanced Intel Speedstep® Technology
- Extended temperature optional

Display

- **Chipset** Intel 852GM chip integrated. (Extreme Graphics 2)
- **Memory Size** Optimized Shared Memory Architecture, support up to 64 MB frame buffer using system memory
- **Resolution** CRT Display mode: pixel resolution up to 1600 x 1200 at 85-Hz and 2048 x 1536 at 75-Hz
LCD Display mode: Dual channel LVDS panel supports up to UXGA panel resolution with frequency range from 25 MHz to 112 MHz
- **LCD Interface** 2 Channel LVDS
- **LVDS** Hirose connector support up to 2 channel (2 x 18-bit) LVDS LCD Panel
- **TV-Out (Cable optional)** Support both NTSC/PAL, S-video and Composite Video
- **Dual Independent Display** CRT + LVDS

Mechanical and Environmental

- **Dimension (L x W)** 203 x 146 mm (8" x 5.75")
- **Weight** 0.85 kg (weight of total package)
- **Operating Temperature** 0 ~ 60° C (32 ~ 140° F)
- **Operating Humidity** 0% ~ 90% relative humidity, non-condensing
- **Storage Temperature** -20 ~ 70° C (accessories Storage temperature: -20 ~ 60° C)
- **Storage Humidity** 95% @ 60° C

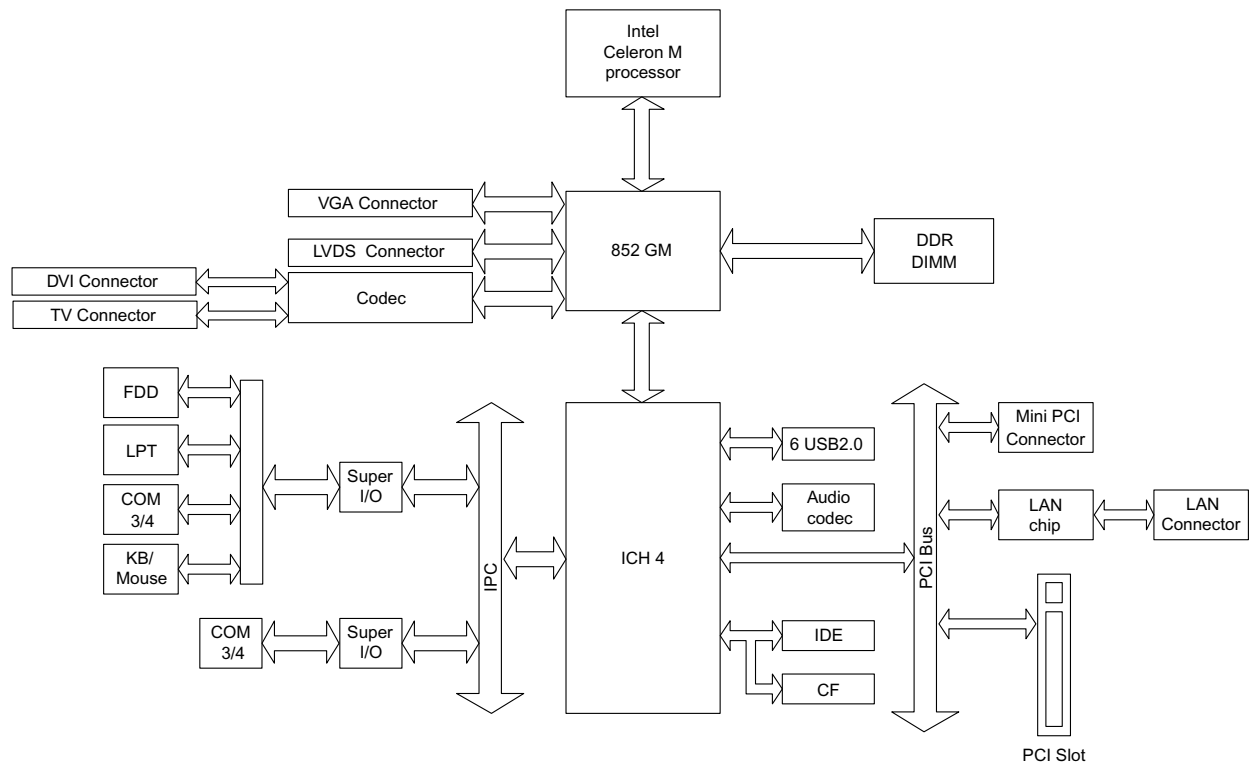
Power

- **Power Supply Voltage** +5 V ±5%, +12 V ±5%
- **Power Consumption** (Celeron M 600 with 256 MB DDR266)
Max: +5 V @ 2.1 A, +12 V @ 0.22 A
Typical: +5 V @ 1.75 A, +12 V @ 0.2 A

Packing List

- 1 x PCM-9586 SBC
- 1 x Mini Jumper Pack (p/n:9689000002)
- 1 x Startup Manual
- 1 x Utility CD
- 1 x ATX Power Cable (p/n:1700000265)

Board Diagram



Ordering Information

Part No.	CPU	L2 Cache	CRT	LVDS	TV out	10/100	Audio	USB2.0	RS-232	RS/232/422/485	LPT/FDD/KB/MS	CF	PCISlot	Mini PCI	Thermal Solution	Operation Temp.
PCM-9586F-M0A1E	Celeron M 600 MHz	512 KB	Yes	36-bit	--	1	Yes	6	3	1	Yes	Yes	1	1	Passive	0 ~ 60° C
PCM-9586Z-M0A1E	Celeron M 600 MHz	512 KB	Yes	36-bit	--	1	Yes	6	3	1	Yes	Yes	1	1	Passive	-20 ~ 80° C
PCM-9586Z2-M0A1E	Celeron M 600 MHz	512 KB	Yes	36-bit	--	1	Yes	6	3	1	Yes	Yes	1	1	Passive	-40 ~ 85° C
PCM-9586F-S0A1E	Celeron M 1 GHz	0 KB	Yes	36-bit	--	1	Yes	6	3	1	Yes	Yes	1	1	Passive	0 ~ 60° C
PCM-9586Z-S0A1E	Celeron M 1 GHz	0 KB	Yes	36-bit	--	1	Yes	6	3	1	Yes	Yes	1	1	Passive	-20 ~ 80° C

Optional Accessories

- **PCM-10586-6100E** Wiring kit for PCM-9581F/PCM-9586
- **CF-HDD-ADP** CompactFlash 50-pin to IDE 44-pin adapter
- **1703050306** TV-Out cable
- **1703100260** USB cable (26 cm)
- **1703100121** USB cable (12 cm)
- **PCM-110-00A3E** 1-slot PCI riser card for 5.25" biscuits
- **PCM-120-00A3E** 2-slot PCI riser card for 5.25" biscuits
- **MIO-3110-00A1E** Mini PCI to USB interface connection hub
- **MIO-3120-00A1E** Mini PCI interface to Wireless 802.11 b/g communication module
- **MIO-3121-00A1E** Mini PCI to 4 COM Module
- **MIO-3140-00A1E** Mini PCI interface to SATA storage module MIO-3150-00A1E Mini PCI interface to video capture module